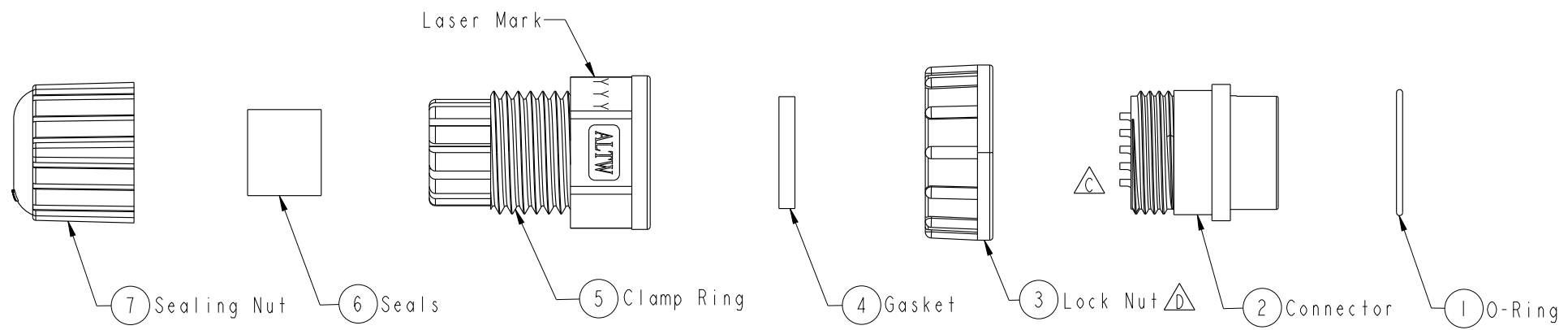


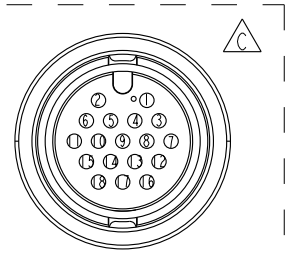
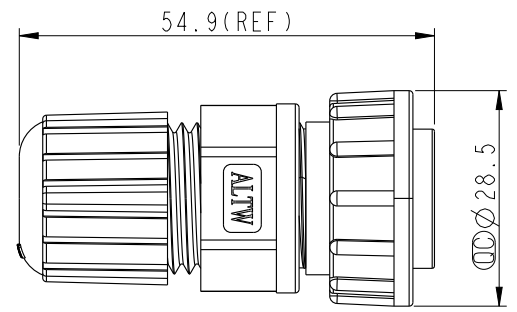
THIS DOCUMENT IS SUBJECT TO CHANGE WITHOUT NOTICE. IT IS CONFIDENTIAL AND A PROPERTY OF AMPHENOL LTW. DISCLOSURE TO THIRD PARTY HAS TO BE AUTHORIZED BY AMPHENOL LTW.

REV.	ECN NO.	DATE	SIGN	DESCRIPTION
B	LEN-860090	2008/06/02	Vicky	Add laser mark.
C	LEN-0C0605	2010/11/26	Ivan	Change View
D	LEN16B0184	2016/11/19	Mafei	Updated The Nut to Lock Nut and Note.



**ALTW**  
**CONFIDENTIAL**  
**2016-11-19**  
**R&D DEPT.**

**ALTW**  
**DCC. DEPT.**  
**CONFIDENTIAL**  
**2016.11.22**  
**ISSUED**



Pin Assignments  
Front View

- Note:
- \* (CC) Important Dimension To Check.
  - \* Waterproof Rate: IP67
  - \* Housing: Nylon+GF, Black
  - \* Female Pin: Copper Alloy, Gold Plated
  - \* O-Ring: EPDM, Black
  - \* Lock Nut: Nylon+GF, Black
  - \* Gasket: EPDM, Black
  - \* Clamping Ring: Nylon, Black
  - \* Seals: EPDM, Black
  - \* Sealing Nut: Nylon, Black
  - \* Seals for Cable OD:  $\varnothing 5.5\text{m} \sim \varnothing 10.8\text{mm}$
  - \* One Set Unassembled in One PE Bag
  - \* Laser Mark: 工單號碼(6碼)  
字型 Simplex; 字高 2mm.

UNIT: mm		
TOLERANCE		
.X	$\pm 0.25$	
.XX	$\pm 0.1$	
.XXX	$\pm 0.05$	
ANGLES	$\pm 1^\circ$	

TITLE Large Assy Lock 18Pin F Conn F Pin			
SCALE 1:1	SIZE A4	SHEET 1 OF 1	
REV. D	WC-REV. A.2	(CC): Inspection item	

**Amphenol LTW**  
**安費諾亮泰企業股份有限公司**

ITEM NO. DD-18BFFA-LL7001	DRAWN BY Mafei	DATE 2016-11-19
DWG NO. DD-18BFFA-LL7001	CHECKED BY Youdan	DATE 2016-11-19
CUSTOMER ALTW	APPROVED BY Jerry	DATE 2016-11-19