

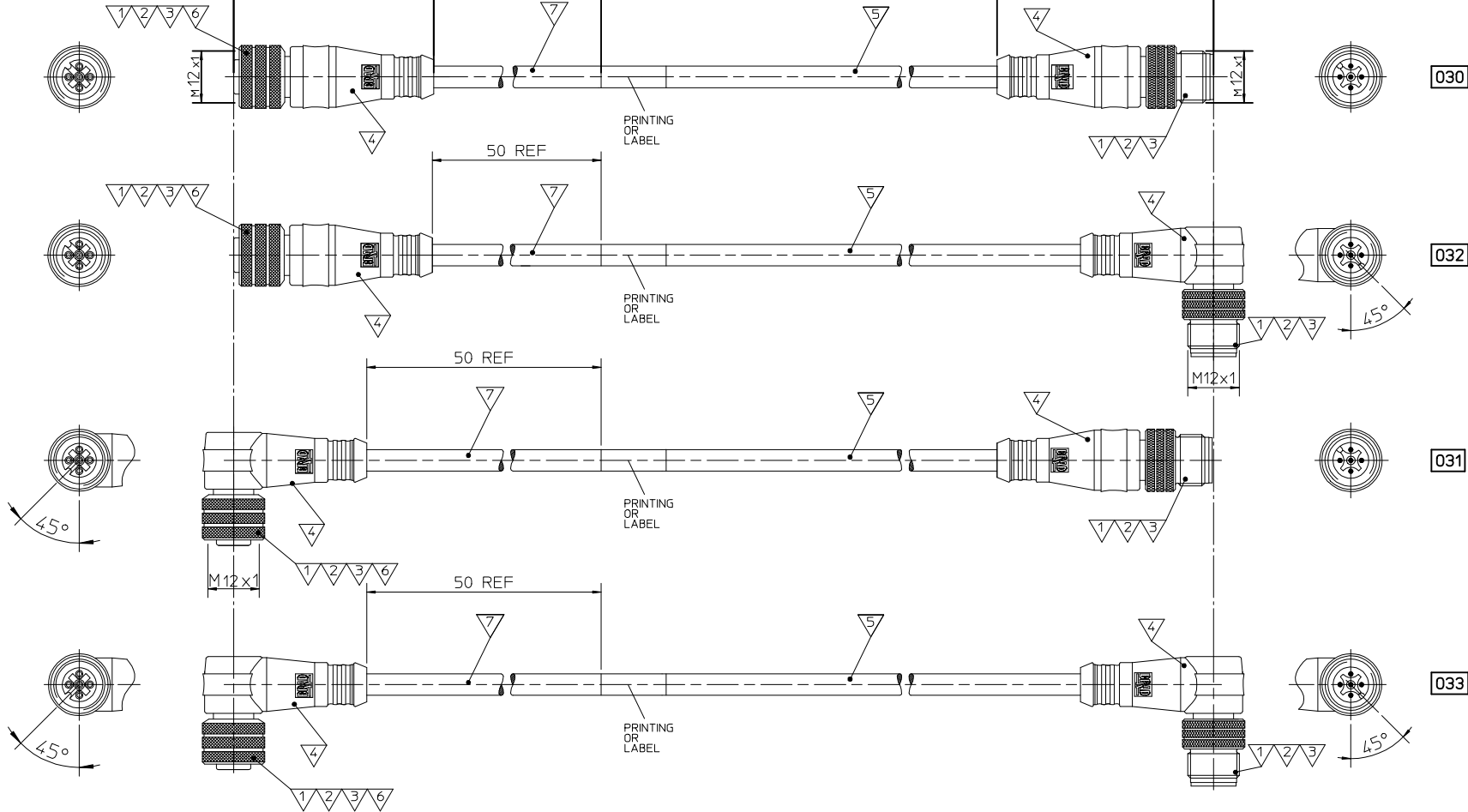
S1

FEMALE SIDES
FACE VIEWS

FINISHED LENGTH (SEE TABLE)

MALE SIDES
FACE VIEWS

S2



CONNECTOR SPECIFICATION:

| | |
|-----------------------|---------------------------|
| VOLTAGE RATING | 3+4P 250 VAC/VDC / 5P/60V |
| AMPERAGE RATING | max. 4 AMPS |
| PROTECTION | IP67 |
| OPERATING TEMPERATURE | -25°C TO 80°C |

| | | | |
|------|--------------|-----------------------|-----------------------|
| 6 | O-RING | VITON | RED |
| 5 | CABLE | SEE TABLE | --- |
| 4 | OVERMOULDING | TPU UF NATURAL C98A10 | --- |
| 4 | OVERMOULDING | MASTERBATCH COLORANT | --- |
| 3 | COUPLING NUT | SEE SPECIAL TYPES | --- |
| 2 | PIN CONTACT | COPPER ALLOY | GOLD OR NICKEL PLATED |
| 1 | INSERT | PUR | BLACK |
| ITEM | PART | MATERIAL | FINISH |

ORIGINAL RELEASE
EC NO: IPG2013-1417
DRWN:MDYSZEWSKA 2013/03/11
CHKD:JMARSZALEK 2013/03/11
APPR:MIWASIECZKO 2013/03/12

QUALITY SYMBOLS
▽=0
◻=0

GENERAL TOLERANCES (UNLESS SPECIFIED)

| | mm | INCH |
|----------|-------|-------|
| 4 PLACES | ± --- | ± --- |
| 3 PLACES | ± --- | ± --- |
| 2 PLACES | ± --- | ± --- |
| 1 PLACE | ± --- | ± --- |
| 0 PLACE | ± --- | ± --- |

ANGULAR ±---°
DRAFT WHERE APPLICABLE
MUST REMAIN WITHIN DIMENSIONS

DIMENSION STYLE
MM ONLY

| | |
|-------------|------------|
| DRAWN BY | DATE |
| HWALCZAK | 2012/11/22 |
| CHECKED BY | DATE |
| JMARSZALEK | 2013/01/14 |
| APPROVED BY | DATE |
| MIWASIECZKO | 2013/01/15 |

MATERIAL NO.
SEE CHART

SCALE
DESIGN UNITS
METRIC

FIRST ANGLE PROJECTION

TITLE
CSE M12 XP AC FE MA
XM DE

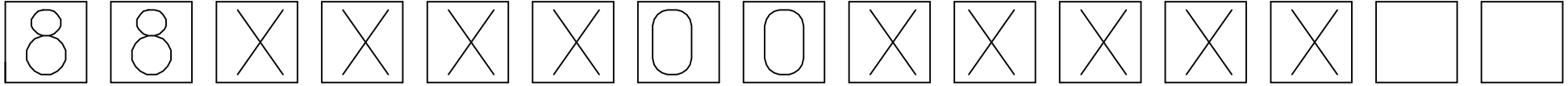
molex

DOCUMENT NO.
SD-120066-001

SHEET NO.
1 OF 6

THIS DRAWING CONTAINS INFORMATION THAT IS PROPRIETARY TO MOLEX INCORPORATED AND SHOULD NOT BE USED WITHOUT WRITTEN PERMISSION

SPECIAL TYPES



Thread M12x1 double ended

POLES
 3- INSERT 3 POLES
 4- INSERT 4 POLES
 5- INSERT 5 POLES

HEAD TYPE
 030 Plugs female and male straight
 031 Plugs female 90° and male straight
 032 Plugs female straight and male 90°
 033 Plugs female and male 90°

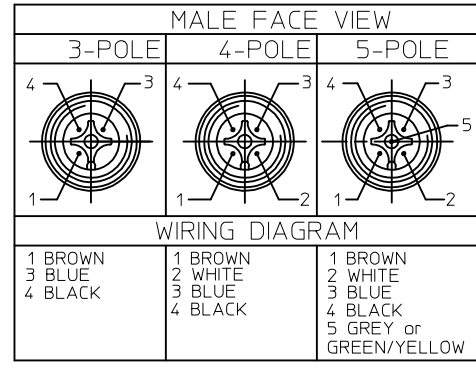
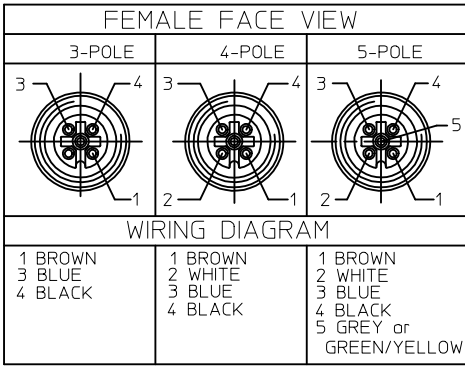
CABLE TYPES
 E02 = 0,25mm², PVC black
 E03 = 0,34mm², PVC black
 E13 = 0,75mm², PVC yellow
 E52 = 0,34mm², PVC grey (RAL7001)
 E57 = 0,34mm², PVC grey (RAL7001)
 H09 = 0,34mm², PUR black
 H69 = 0,2mm², PUR grey LSOH SCR
 I02 = 0,25mm², PVC grey CEI
 I03 = 0,34mm², PVC grey CEI
 I20 = 0,34mm², PVC grey CEI SCR DC
 I26 = 0,34mm², PVC grey CEI SCR AC
 P02 = 0,25mm², PUR/PVC black
 P03 = 0,34mm², PUR/PVC black
 P08 = 0,25mm², PUR yellow HIFLEX
 P20 = 0,34mm², PUR black LSOH braid
 P82 = 0,34mm², PUR orange irradiated DC
 S20 = 0,34mm², PVC yellow SJTO braid
 S26 = 0,34mm², PVC yellow SJTO braid AC

LENGTH UNIT
 C-cm
 M-m
 K-km
 F-feet

LENGTH
 Example:
 020 - 2M
 060 - 6M
 100 - 10M

COUPLING NUT
 blank and 3-standard (BRASS)
 1 - STAINLESS STEEL
 5 - DELRIN
 7 - TEFLON COAT

PLUG MATERIAL
 blank-standard (BLACK)
 A-GREY
 Y-YELLOW
 H-standard with ID carrier



Tablica tolerancji dlugosci
 Table of length tolerances

| Powyzej Over | Do-wlacznie Up to and including | Tolerancja (+) Tolerance |
|--------------|---------------------------------|--------------------------|
| 0 | 305 | +19 |
| 305 | 915 | +45 |
| 915 | 1830 | +56 |
| 1830 | 3660 | +89 |
| 3660 | 7320 | +165 |
| 7320 | 14640 | +317 |
| 14640 | 30500 | +610 |
| 30500 | > | +2% dlugosci of length |

| | | | | | | | |
|---|-------------------------------|--|---|---------------|---------------------------|------------------------|--|
| ORIGINAL RELEASE EC NO: IPG2013-1417 DRWN: MDYSZEWSKA 2013/03/11 CHKD: JMARSZALEK 2013/03/11 APPR: MIWASIECZKO 2013/03/12 | QUALITY SYMBOLS ▽=0 ∇=0 | GENERAL TOLERANCES (UNLESS SPECIFIED) | DIMENSION STYLE MM ONLY | SCALE | DESIGN UNITS METRIC | FIRST ANGLE PROJECTION | |
| | | mm INCH | DRAWN BY DATE HWALCZAK 2012/11/22 | TITLE | CSE M12 XP AC FE MA XM DE | | |
| | | 4 PLACES ± --- ± --- | CHECKED BY DATE JMARSZALEK 2013/01/14 | | | | |
| | | 3 PLACES ± --- ± --- | APPROVED BY DATE MIWASIECZKO 2013/01/15 | | | | |
| | | 2 PLACES ± --- ± --- | MATERIAL NO. | | | | |
| | 1 PLACE ± --- ± --- | ANGULAR ± --- ° | SEE CHART | SD-120066-001 | 2 OF 6 | | |
| | 0 PLACE ± --- ± --- | DRAFT WHERE APPLICABLE MUST REMAIN WITHIN DIMENSIONS | THIS DRAWING CONTAINS INFORMATION THAT IS PROPRIETARY TO MOLEX INCORPORATED AND SHOULD NOT BE USED WITHOUT WRITTEN PERMISSION | | | | |

10 9 8 7 6 5 4 3 2 1

| | |
|------------|----------------|
| 1200072580 | 883030A51M006 |
| 1200668662 | 883030E02M006 |
| 1200070081 | 883030E03M006 |
| 1200070083 | 883030E03M010 |
| 1200070085 | 883030E03M020 |
| 1200070086 | 883030E03M0205 |
| 1200071006 | 883030E03M020H |
| 1200070088 | 883030E03M030 |
| 1200668370 | 883030E03M040 |
| 1200070091 | 883030E03M050 |
| 1200070092 | 883030E03M0505 |
| 1200070093 | 883030E03M100 |
| 1200668208 | 883030E03M150 |
| 1200071343 | 883030E52M003A |
| 1200070956 | 883030E52M020A |
| 1200668373 | 883030H09M006 |
| 1200668374 | 883030H09M010 |
| 1200668197 | 883030H09M020 |
| 1200668375 | 883030H09M030 |
| 1200668376 | 883030H09M040 |
| 1200668198 | 883030H09M050 |
| 1200668377 | 883030H09M100 |
| 1200070095 | 883030I03M003 |
| 1200070096 | 883030I03M006 |
| 1200070097 | 883030I03M010 |
| 1200070098 | 883030I03M020 |
| 1200668632 | 883030I03M020Y |
| 1200070099 | 883030I03M030 |
| 1200668696 | 883030I03M030A |
| 1200668633 | 883030I03M030Y |
| 1200668371 | 883030I03M040 |
| 1200070100 | 883030I03M050 |
| 1200668697 | 883030I03M050A |
| 1200668634 | 883030I03M050Y |
| 1200070101 | 883030I03M100 |

| | |
|------------|-----------------|
| 1200668698 | 883030I03M100A |
| 1200668699 | 883030I03M200A |
| 1200070102 | 883030P03M003 |
| 1200668045 | 883030P03M005 |
| 1200070104 | 883030P03M006 |
| 1200070104 | 883030P03M006 |
| 1200660498 | 883030P03M010 |
| 1200071123 | 883030P03M010H |
| 1200668691 | 883030P03M010YH |
| 1200660500 | 883030P03M020 |
| 1200071131 | 883030P03M0201 |
| 1200071114 | 883030P03M020H |
| 1200668690 | 883030P03M020YH |
| 1200660501 | 883030P03M030 |
| 1200660501 | 883030P03M030 |
| 1200071122 | 883030P03M030H |
| 1200668646 | 883030P03M030HY |
| 1200072104 | 883030P03M040 |
| 1200660502 | 883030P03M050 |
| 1200071047 | 883030P03M050H |
| 1200071288 | 883030P03M060 |
| 1200070105 | 883030P03M100 |
| 1200071273 | 883030P03M100H |
| 1200072658 | 883030P03M120 |
| 1200071053 | 883030P03M150 |
| 1200071666 | 883030P08M100 |
| 1200071666 | 883030P08M100 |
| 1200071127 | 883030P09M006 |
| 1200070972 | 883030P09M020 |
| 1200668310 | 883030S20M005 |
| 1200070110 | 883030S20M010 |
| 1200070111 | 883030S20M020 |
| 1200668172 | 883030S20M050 |
| 1200072390 | 884030A51M0031 |
| 1200668661 | 884030E02M0031 |

| | |
|------------|----------------|
| 1200070470 | 884030E03M003 |
| 1200665009 | 884030E03M005 |
| 1200668672 | 884030E03M0051 |
| 1200070472 | 884030E03M006 |
| 1200070473 | 884030E03M010 |
| 1200668062 | 884030E03M010H |
| 1200071594 | 884030E03M015 |
| 1200070474 | 884030E03M020 |
| 1200071703 | 884030E03M0205 |
| 1200071774 | 884030E03M020H |
| 1200070475 | 884030E03M030 |
| 1200072092 | 884030E03M040 |
| 1200060049 | 884030E03M050 |
| 1200072744 | 884030E03M0501 |
| 1200071707 | 884030E03M0505 |
| 1200072172 | 884030E03M050H |
| 1200071596 | 884030E03M060 |
| 1200070476 | 884030E03M100 |
| 1200071881 | 884030E03M1005 |
| 1200072544 | 884030E03M120 |
| 1200071715 | 884030E03M150 |
| 1200071793 | 884030E03M1501 |
| 1200071199 | 884030E03M200 |
| 1200071026 | 884030E52M010A |
| 1200661434 | 884030E52M020A |
| 1200071624 | 884030E52M030A |
| 1200661472 | 884030E52M050A |
| 1200070867 | 884030E52M100A |
| 1200070653 | 884030E52M200A |
| 1200668378 | 884030H09M006 |
| 1200668548 | 884030H09M006H |
| 1200668379 | 884030H09M010 |
| 1200668549 | 884030H09M010H |
| 1200668234 | 884030H09M020 |
| 1200668486 | 884030H09M023 |

| | |
|------------|----------------|
| 1200668174 | 884030H09M030 |
| 1200668380 | 884030H09M040 |
| 1200668244 | 884030H09M050 |
| 1200668550 | 884030H09M050H |
| 1200668381 | 884030H09M100 |
| 1200070774 | 884030I03M006 |
| 1200070480 | 884030I03M010 |
| 1200070481 | 884030I03M020 |
| 1200071627 | 884030I03M0205 |
| 1200668637 | 884030I03M020Y |
| 1200070785 | 884030I03M030 |
| 1200668372 | 884030I03M040 |
| 1200070483 | 884030I03M050 |
| 1200070484 | 884030I03M060 |
| 1200070485 | 884030I03M100 |
| 1200668638 | 884030I03M100Y |
| 1200071338 | 884030I20M030 |
| 1200070486 | 884030P03M003 |
| 1200070486 | 884030P03M003 |
| 1200668687 | 884030P03M005 |
| 1200070487 | 884030P03M006 |
| 1200070487 | 884030P03M006 |
| 1200070488 | 884030P03M010 |
| 1200070488 | 884030P03M010 |
| 1200072762 | 884030P03M0101 |
| 1200072649 | 884030P03M0105 |
| 1200668384 | 884030P03M010H |
| 1200060050 | 884030P03M015 |
| 1200060050 | 884030P03M015 |
| 1200070489 | 884030P03M020 |
| 1200070489 | 884030P03M020 |
| 1200072763 | 884030P03M0201 |
| 1200060051 | 884030P03M030 |
| 1200060051 | 884030P03M030 |
| 1200072764 | 884030P03M0301 |

| | |
|------------|-----------------|
| 1200072803 | 884030P03M040 |
| 1200072803 | 884030P03M040 |
| 1200070490 | 884030P03M050 |
| 1200070490 | 884030P03M050 |
| 1200072650 | 884030P03M0505 |
| 1200072010 | 884030P03M050H |
| 1200072804 | 884030P03M060 |
| 1200072804 | 884030P03M060 |
| 1200071029 | 884030P03M100 |
| 1200071029 | 884030P03M100 |
| 1200665031 | 884030P03M100H |
| 1200072105 | 884030P03M200 |
| 1200072105 | 884030P03M200 |
| 1200665370 | 884030P03M205G |
| 1200658808 | 884030P04M100 |
| 1200071412 | 884030P08M010 |
| 1200071412 | 884030P08M010 |
| 1200072047 | 884030P09M0201 |
| 1200668505 | 884030P20M010 |
| 1200668506 | 884030P20M020 |
| 1200668507 | 884030P20M050 |
| 1200668508 | 884030P20M100 |
| 1200071501 | 884030P82M003 |
| 1200071067 | 884030P82M0037 |
| 1200070494 | 884030P82M005 |
| 1200071162 | 884030P82M006 |
| 1200071162 | 884030P82M006 |
| 1200071066 | 884030P82M0067 |
| 1200668643 | 884030P82M0067Y |
| 1200070798 | 884030P82M010 |
| 1200668349 | 884030P82M0101 |
| 1200071068 | 884030P82M0107 |
| 1200668644 | 884030P82M0107Y |
| 1200071582 | 884030P82M015 |
| 1200071069 | 884030P82M0157 |

| | | | | | | | |
|--|-----------------|--|--|-------------------------------|------------------------------|------------------------|--|
| ORIGINAL RELEASE EC NO: IPG2013-1417 DRW:MD/SZEWKA 2013/03/11 CHKD: JMARSZALEK 2013/03/11 APPR: MIWASIECZKO 2013/03/12 | QUALITY SYMBOLS | GENERAL TOLERANCES (UNLESS SPECIFIED) | DIMENSION STYLE | SCALE | DESIGN UNITS | FIRST ANGLE PROJECTION | |
| | ▽=0 ◻=0 | mm INCH | MM ONLY | | METRIC | | |
| | | 4 PLACES ± --- ± --- 3 PLACES ± --- ± --- 2 PLACES ± --- ± --- 1 PLACE ± --- ± --- 0 PLACE ± --- ± --- | DRAWN BY DATE HWALCZAK 2012/11/22 CHECKED BY DATE JMARSZALEK 2013/01/14 APPROVED BY DATE MIWASIECZKO 2013/01/15 | TITLE | CSE M12 XP AC FE MA XM DE | | |
| | | ANGULAR ± --- ° DRAFT WHERE APPLICABLE MUST REMAIN WITHIN DIMENSIONS | MATERIAL NO. SEE CHART | DOCUMENT NO. SD-120066-001 | | SHEET NO. 3 OF 6 | |



9 8 7 6 5 4 3 2 1

| | | | | | | | | | | | |
|---|------------|-----------------|------------|----------------|------------|----------------|------------|---------------|------------|----------------|---|
| | 10 | 9 | 8 | 7 | 6 | 5 | 4 | 3 | 2 | 1 | |
| F | 1200070799 | 884030P82M020 | 1200072341 | 885030A51M050 | 1200668683 | 885030H09M150 | 1200060048 | 883031A51M050 | 1200070511 | 884031E03M020 | F |
| | 1200072601 | 884030P82M0201 | 1200072341 | 885030A51M050 | 1200668684 | 885030H09M200 | 1200060052 | 884031I20M005 | 1200070512 | 884031E03M030 | |
| | 1200071088 | 884030P82M0207 | 1200072342 | 885030A51M100 | 1200070961 | 885030I03M030 | 1200060053 | 884031I20M010 | 1200070522 | 884031I03M020 | |
| | 1200668645 | 884030P82M0207Y | 1200668664 | 885030E02M010 | 1200668642 | 885030I03M030Y | 1200060054 | 884031I20M015 | 1200070523 | 884031I03M030 | |
| | 1200071580 | 884030P82M030 | 1200668657 | 885030E02M020 | 1200668165 | 885030I03M100 | 1200060055 | 884031I20M020 | 1200070526 | 884031P03M003 | |
| | 1200071647 | 884030P82M0307 | 1200668609 | 885030E02M050 | 1200072106 | 885030I26M005 | 1200060056 | 884031P03M010 | 1200070526 | 884031P03M003 | |
| | 1200071428 | 884030P82M0407 | 1200668708 | 885030E02M050Y | 1200668082 | 885030I26M006 | 1200060056 | 884031P03M010 | 1200070527 | 884031P03M006 | |
| | 1200071254 | 884030P82M050 | 1200668656 | 885030E02M100 | 1200070890 | 885030I26M010 | 1200060057 | 884031P03M020 | 1200070527 | 884031P03M006 | |
| | 1200668067 | 884030P82M0507 | 1200071500 | 885030E03M005 | 1200668639 | 885030I26M010Y | 1200060057 | 884031P03M020 | 1200070529 | 884031P03M030 | |
| | 1200668187 | 884030P82M050H | 1200668338 | 885030E03M006 | 1200072359 | 885030I26M015 | 1200070118 | 883031E03M006 | 1200070529 | 884031P03M030 | |
| E | 1200668391 | 884030P82M060 | 1200070906 | 885030E03M010 | 1200070891 | 885030I26M020 | 1200070119 | 883031E03M010 | 1200070534 | 884031S20M030 | E |
| | 1200668391 | 884030P82M060 | 1200668530 | 885030E03M010H | 1200668640 | 885030I26M020Y | 1200070121 | 883031E03M020 | 1200070651 | 884031I03M006 | |
| | 1200718014 | 884030P82M0607 | 1200070970 | 885030E03M020 | 1200668281 | 885030I26M025 | 1200070123 | 883031E03M030 | 1200070768 | 884031S20M050 | |
| | 1200658167 | 884030P82M080 | 1200668528 | 885030E03M020H | 1200070892 | 885030I26M030 | 1200070125 | 883031E03M050 | 1200070783 | 884031S20M100H | |
| | 1200070937 | 884030P82M100 | 1200070586 | 885030E03M030 | 1200668641 | 885030I26M030Y | 1200070127 | 883031E03M100 | 1200070904 | 884031E03M050 | |
| | 1200668517 | 884030P82M1007 | 1200072081 | 885030E03M035 | 1200071279 | 885030I26M050 | 1200070132 | 883031I03M003 | 1200070917 | 885031P03M020 | |
| | 1200071272 | 884030S20M005 | 1200071948 | 885030E03M040 | 1200668083 | 885030P03M005 | 1200070133 | 883031I03M006 | 1200070919 | 885031P03M030 | |
| | 1200071237 | 884030S20M005H | 1200070969 | 885030E03M050 | 1200071947 | 885030P03M007 | 1200070134 | 883031I03M010 | 1200070945 | 883031E03M015 | |
| | 1200071178 | 884030S20M006H | 1200072697 | 885030E03M060 | 1200668084 | 885030P03M010 | 1200070136 | 883031I03M020 | 1200071010 | 884031P82M100 | |
| D | 1200668068 | 884030S20M010 | 1200668652 | 885030E03M070 | 1200070596 | 885030P03M020 | 1200070137 | 883031I03M030 | 1200071096 | 884031P82M0037 | D |
| | 1200071035 | 884030S20M010H | 1200071583 | 885030E03M080 | 1200668602 | 885030P03M020G | 1200070138 | 883031I03M050 | 1200071121 | 883031P03M010H | |
| | 1200071238 | 884030S20M015H | 1200668347 | 885030E03M100 | 1200668086 | 885030P03M0283 | 1200070140 | 883031P03M003 | 1200071138 | 884031S20M010H | |
| | 1200070499 | 884030S20M020 | 1200668674 | 885030E03M150 | 1200071408 | 885030P03M030 | 1200070141 | 883031P03M006 | 1200071139 | 884031S20M020H | |
| | 1200071141 | 884030S20M020H | 1200668487 | 885030E03M200 | 1200668163 | 885030P03M040 | 1200070142 | 883031P03M010 | 1200071143 | 884031P82M0107 | |
| | 1200070500 | 884030S20M030 | 1200668521 | 885030E03M250 | 1200071049 | 885030P03M050 | 1200070143 | 883031P03M020 | 1200071144 | 884031P82M0207 | |
| | 1200071137 | 884030S20M030H | 1200668081 | 885030E57M100A | 1200073049 | 885030P03M0501 | 1200070144 | 883031P03M030 | 1200071157 | 884031E03M060 | |
| | 1200071264 | 884030S20M040H | 1200665054 | 885030E85M200 | 1200668088 | 885030P03M070 | 1200070145 | 883031P03M050 | 1200071164 | 884031S20M003H | |
| | 1200070502 | 884030S20M050 | 1200665054 | 885030E85M200 | 1200071284 | 885030P03M100 | 1200070146 | 883031P03M100 | 1200071179 | 884031S20M006H | |
| | 1200071188 | 884030S20M050H | 1200668509 | 885030H09M006 | 1200072656 | 885030P03M120 | 1200070149 | 883031P09M020 | 1200071183 | 884031S20M030H | |
| C | 1200070023 | 884030S20M060H | 1200668497 | 885030H09M010 | 1200668238 | 885030P03M200 | 1200070152 | 883031S20M010 | 1200071187 | 884031P03M050 | C |
| | 1200070504 | 884030S20M100 | 1200668500 | 885030H09M020 | 1200072427 | 885030P09M050 | 1200070153 | 883031S20M020 | 1200071187 | 884031P03M050 | |
| | 1200071161 | 884030S20M100H | 1200668510 | 885030H09M030 | 1200665012 | 885030P82M030 | 1200070156 | 883031S20M050 | 1200071189 | 884031S20M050H | |
| | 1200668294 | 885030A51M010 | 1200668501 | 885030H09M050 | 1200070597 | 885030S26M010 | 1200070507 | 884031E03M003 | 1200071200 | 884031S20M015H | |
| | 1200668294 | 885030A51M010 | 1200668502 | 885030H09M092 | 1200668090 | 885030S26M020H | 1200070508 | 884031E03M006 | 1200071236 | 884031S20M005H | |
| | 1200072353 | 885030A51M020 | 1200668511 | 885030H09M100 | 1200060048 | 883031A51M050 | 1200070509 | 884031E03M010 | 1200071278 | 884031E03M100 | |

| | | | | | | | | | |
|---|--|---------------------------------------|---|----------------------------|------|---------------|------------------------------|------------------------|--|
| ORIGINAL RELEASE EC NO: IPG2013-1417 DRW:MD/SZEWSKA 2013/03/11 CHKD:JMARSZALEK 2013/03/11 APPR:MIWASIECZKO 2013/03/12 | QUALITY SYMBOLS | GENERAL TOLERANCES (UNLESS SPECIFIED) | | DIMENSION STYLE MM ONLY | | SCALE | DESIGN UNITS METRIC | FIRST ANGLE PROJECTION | |
| | ▽=0 ◻=0 | mm | INCH | DRAWN BY | DATE | TITLE | CSE M12 XP AC FE MA XM DE | | |
| | | 4 PLACES ± --- ± --- | HWALCZAK | 2012/11/22 | | | | | |
| | | 3 PLACES ± --- ± --- | CHECKED BY | DATE | | | | | |
| | 2 PLACES ± --- ± --- | JMARSZALEK | 2013/01/14 | | | | | | |
| | 1 PLACE ± --- ± --- | APPROVED BY | DATE | | | | | | |
| | 0 PLACE ± --- ± --- | MIWASIECZKO | 2013/01/15 | | | | | | |
| | ANGULAR ± --- ° | MATERIAL NO. | DOCUMENT NO. | SEE CHART | | SD-120066-001 | | SHEET NO. 4 OF 6 | |
| | DRAFT WHERE APPLICABLE MUST REMAIN WITHIN DIMENSIONS | SIZE A3 | THIS DRAWING CONTAINS INFORMATION THAT IS PROPRIETARY TO MOLEX INCORPORATED AND SHOULD NOT BE USED WITHOUT WRITTEN PERMISSION | | | | | | |

| | | | | | | | | | | | |
|---|------------|----------------|------------|----------------|------------|-----------------|------------|-----------------|------------|----------------|---|
| | 10 | 9 | 8 | 7 | 6 | 5 | 4 | 3 | 2 | 1 | |
| F | 1200071280 | 884031S20M040H | 1200072696 | 883031S20M010H | 1200668258 | 883031I03M080 | 1200668666 | 884031P82M0107Y | 1200072838 | 884032P03M003 | F |
| | 1200071318 | 884031P82M0067 | 1200072725 | 885031I26M005 | 1200668259 | 884031I20M003 | 1200668667 | 884031I20M030Y | 1200072879 | 883032H09M010 | |
| | 1200071341 | 884031I20M030 | 1200072726 | 885031I26M010 | 1200668273 | 885031P03M050 | 1200668669 | 884031H09M006 | 1200665032 | 884032E03M020 | |
| | 1200071493 | 883031P82M050 | 1200072772 | 884031H03M009 | 1200668278 | 885031E03M020 | 1200668670 | 884031H09M050 | 1200665040 | 884032H69M100 | |
| | 1200071575 | 884031P82M006 | 1200072772 | 884031H03M009 | 1200668279 | 885031E03M050 | 1200668671 | 884031H09M100 | 1200668007 | 883032I03M010 | |
| | 1200071575 | 884031P82M006 | 1200072779 | 884031P09M0405 | 1200668287 | 884031I20M025 | 1200070026 | 884032P03M020 | 1200668053 | 883032E03M100 | |
| | 1200071576 | 884031P82M010 | 1200658762 | 883031H09M006 | 1200668324 | 883031P03M010G | 1200070158 | 883032E03M003 | 1200668054 | 883032P03M005 | |
| | 1200071577 | 884031P82M015 | 1200658763 | 883031H09M010 | 1200668325 | 883031P03M020G | 1200070159 | 883032E03M006 | 1200668072 | 884032E03M006 | |
| | 1200071578 | 884031P82M030 | 1200658764 | 883031H09M020 | 1200668326 | 883031P03M030G | 1200070160 | 883032E03M010 | 1200668073 | 884032E03M010 | |
| | 1200071579 | 884031P82M050 | 1200658765 | 883031H09M030 | 1200668339 | 885031E03M006 | 1200070161 | 883032E03M020 | 1200668074 | 884032E03M050 | |
| E | 1200071581 | 884031P82M020 | 1200658766 | 883031H09M040 | 1200668340 | 885031E03M030 | 1200070166 | 883032I03M006 | 1200668075 | 884032E03M100 | E |
| | 1200071617 | 883031P09M0205 | 1200658767 | 883031H09M050 | 1200668348 | 885031E03M100 | 1200070171 | 883032P03M006 | 1200668076 | 884032H69M030 | |
| | 1200071832 | 884031I20M050 | 1200658768 | 883031H09M100 | 1200668361 | 884031E03M015 | 1200070172 | 883032P03M010 | 1200668077 | 884032P82M0037 | |
| | 1200071833 | 884031I20M100 | 1200659035 | 883031E02M050 | 1200668392 | 884031P82M060 | 1200070173 | 883032P03M020 | 1200668078 | 884032P82M0207 | |
| | 1200071893 | 884031S20M100 | 1200659070 | 884031I20M010Y | 1200668484 | 884031H09M010 | 1200070174 | 883032P03M030 | 1200668092 | 885032E03M020 | |
| | 1200071994 | 885031P82M030 | 1200659071 | 884031I20M015Y | 1200668488 | 884031H09M015 | 1200070184 | 883032S20M010 | 1200668093 | 885032P03M030 | |
| | 1200072011 | 884031E03M200 | 1200659072 | 884031I20M020Y | 1200668496 | 885031H09M010 | 1200070185 | 883032S20M020 | 1200668161 | 884032S20M030 | |
| | 1200072012 | 884031P03M100 | 1200659115 | 884031I20M005Y | 1200668512 | 885031H09M006 | 1200070547 | 884032P03M0105 | 1200668173 | 884032E03M1501 | |
| | 1200072012 | 884031P03M100 | 1200660383 | 884031S20M010 | 1200668513 | 885031H09M020 | 1200070841 | 884032E52M020A | 1200668177 | 884032S20M020 | |
| | 1200072030 | 884031P09M010 | 1200665007 | 884031P82M0157 | 1200668514 | 885031H09M030 | 1200070907 | 884032S20M050 | 1200668200 | 884032E03M1001 | |
| D | 1200072164 | 883031E03M040 | 1200665037 | 883031P09M015 | 1200668515 | 885031H09M050 | 1200070914 | 884032P03M050 | 1200668205 | 883032E03M050 | D |
| | 1200072187 | 883031P09M0505 | 1200665039 | 884031S20M003 | 1200668516 | 885031H09M100 | 1200071014 | 884032E03M030 | 1200668206 | 883032E03M150 | |
| | 1200072220 | 883031A51M020 | 1200665053 | 884031S20M060H | 1200668520 | 883031P03M070 | 1200071271 | 885032E03M010 | 1200668223 | 884032E03M200 | |
| | 1200072220 | 883031A51M020 | 1200668052 | 883031S20M006 | 1200668531 | 884031P82M0507 | 1200071277 | 884032E52M010A | 1200668267 | 884032P82M0107 | |
| | 1200072221 | 883031A51M100 | 1200668071 | 884031S20M020 | 1200668532 | 884031P82M1007 | 1200071407 | 884032P03M010 | 1200668268 | 883032E03M200 | |
| | 1200072221 | 883031A51M100 | 1200668091 | 885031P03M025 | 1200668608 | 883031E02M020 | 1200071519 | 884032P03M006 | 1200668282 | 884032P82M0157 | |
| | 1200072354 | 885031A51M020 | 1200668175 | 883031E03M060 | 1200668610 | 885031E02M050 | 1200071520 | 884032P03M030 | 1200668290 | 884032H09M020 | |
| | 1200072355 | 885031A51M050 | 1200668188 | 885031P03M010 | 1200668612 | 883031E02M100 | 1200072163 | 884032E03M0501 | 1200668307 | 884032E03M1005 | |
| | 1200072355 | 885031A51M050 | 1200668189 | 885031E03M010 | 1200668613 | 883031E02M030 | 1200072213 | 884032P03M1005 | 1200668308 | 884032E03M2005 | |
| C | 1200072356 | 885031A51M100 | 1200668191 | 883031S20M030 | 1200668635 | 883031E03M010Y | 1200072294 | 883032P03M0305 | 1200668309 | 884032E03M1205 | C |
| | 1200072365 | 884031E03M1501 | 1200668212 | 884031H09M020 | 1200668636 | 883031E03M020Y | 1200072378 | 883032E03M060 | 1200668311 | 884032H69M010 | |
| | 1200072376 | 885031P03M0105 | 1200668215 | 884031H09M030 | 1200668647 | 884031P82M0067Y | 1200072424 | 884032I03M003 | 1200668312 | 884032H69M050 | |
| | 1200072445 | 883031E03M020H | 1200668221 | 884031P82M040 | 1200668653 | 885031E03M070 | 1200072577 | 885032P03M003 | 1200668341 | 883032P03M050 | |
| | 1200072447 | 883031A51M030 | 1200668237 | 883031S20M100 | 1200668658 | 885031E02M020 | 1200072705 | 883032P03M060 | 1200668343 | 884032P82M0067 | |
| | 1200072447 | 883031A51M030 | 1200668247 | 884031P82M005 | 1200668660 | 885031E02M100 | 1200072738 | 884032A51M050 | 1200668345 | 884032P03M002G | |

| | | | | | | | | | | |
|--|-------------------------------|---------------------------------------|-------|--|-------|---|----------------------------|---------------------------------------|--|--|
| ORIGINAL RELEASE EC NO: IPG2013-1417 DRW:MD/SZEWKA 2013/03/11 CHKD:JMARSZALEK 2013/03/11 APPR:MIWASIECZKO 2013/03/12 | QUALITY SYMBOLS ▽=0 ◻=0 | GENERAL TOLERANCES (UNLESS SPECIFIED) | | DIMENSION STYLE MM ONLY | | SCALE | DESIGN UNITS METRIC | FIRST ANGLE PROJECTION | | |
| | | | | mm | INCH | DRAWN BY HWALCZAK | DATE 2012/11/22 | TITLE CSE M12 XP AC FE MA XM DE | | |
| | | 4 PLACES | ± --- | ± --- | | CHECKED BY JMARSZALEK | DATE 2013/01/14 | | | |
| | | 3 PLACES | ± --- | ± --- | | APPROVED BY MIWASIECZKO | DATE 2013/01/15 | | | |
| | | | | 2 PLACES | ± --- | ± --- | | molex | | |
| | | | | 1 PLACE | ± --- | ± --- | MATERIAL NO. SD-120066-001 | | | |
| | | | | 0 PLACE | ± --- | ± --- | | DOCUMENT NO. SD-120066-001 | | |
| | | | | ANGULAR ±---° | | SEE CHART | | SHEET NO. 5 OF 6 | | |
| | | | | DRAFT WHERE APPLICABLE MUST REMAIN WITHIN DIMENSIONS | | THIS DRAWING CONTAINS INFORMATION THAT IS PROPRIETARY TO MOLEX INCORPORATED AND SHOULD NOT BE USED WITHOUT WRITTEN PERMISSION | | | | |

F

E

D

C

B

A

F

E

D

C

B

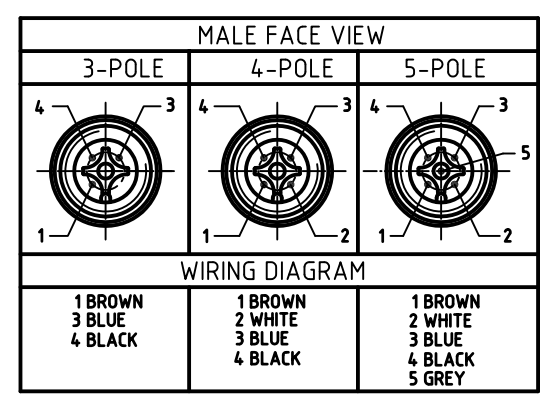
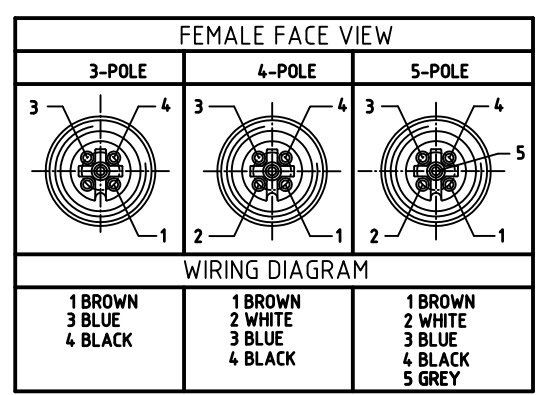
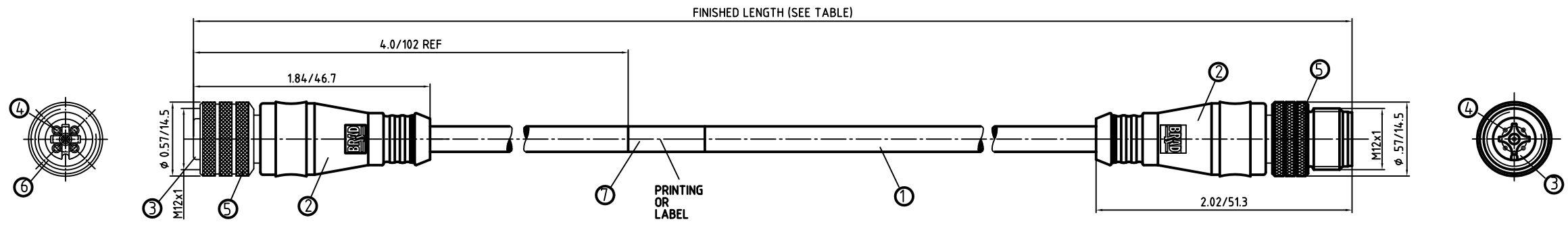
A

| | |
|------------|----------------|
| 1200668493 | 885032H09M010 |
| 1200668494 | 884032H09M010 |
| 1200668522 | 884032I03M020 |
| 1200668603 | 885032P03M020G |
| 1200668663 | 884032E02M050 |
| 1200070187 | 883033E03M003 |
| 1200070190 | 883033E03M020 |
| 1200668685 | 883033E03M030 |
| 1200668668 | 883033E03M050 |
| 1200668398 | 883033E03M100 |
| 1200668649 | 883033E03M100Y |
| 1200668539 | 883033E03M150 |
| 1200668650 | 883033E03M150Y |
| 1200668253 | 883033E03M200 |
| 1200668351 | 883033E13M005 |
| 1200668498 | 883033H09M010 |
| 1200070203 | 883033I03M006 |
| 1200070204 | 883033I03M010 |
| 1200070207 | 883033I03M050 |
| 1200070208 | 883033I03M100 |
| 1200071856 | 883033I03M100S |
| 1200070209 | 883033I03M150 |
| 1200668295 | 883033P03M003 |
| 1200070215 | 883033P03M006 |
| 1200070216 | 883033P03M010 |
| 1200070217 | 883033P03M020 |
| 1200070817 | 883033P03M050 |
| 1200668178 | 884033E03M003 |
| 1200668079 | 884033E03M006 |
| 1200070554 | 884033E03M010 |
| 1200073050 | 884033E03M0101 |
| 1200668192 | 884033E03M020 |
| 1200072331 | 884033E03M0201 |
| 1200070556 | 884033E03M030 |
| 1200070557 | 884033E03M050 |

| | |
|------------|----------------|
| 1200073065 | 884033E03M0501 |
| 1200668492 | 884033H09M010 |
| 1200668240 | 884033H09M020 |
| 1200668243 | 884033H09M050 |
| 1200668260 | 884033I03M010 |
| 1200668261 | 884033I03M020 |
| 1200668262 | 884033I03M030S |
| 1200668263 | 884033I03M050S |
| 1200668264 | 884033I03M100S |
| 1200071524 | 884033P03M006 |
| 1200071523 | 884033P03M010 |
| 1200668275 | 884033P03M015 |
| 1200668332 | 884033P03M020 |
| 1200668179 | 884033P03M020H |
| 1200668217 | 884033P03M030 |
| 1200668298 | 884033P03M050 |
| 1200665041 | 884033P82M0037 |
| 1200071326 | 884033P82M0067 |
| 1200071327 | 884033P82M0107 |
| 1200070565 | 884033S20M010 |
| 1200665402 | 885033E03M010 |
| 1200668529 | 885033E03M010H |
| 1200668675 | 885033E03M020 |
| 1200668676 | 885033E03M030 |
| 1200668677 | 885033E03M050 |
| 1200668678 | 885033E03M100 |
| 1200668499 | 885033H09M010 |
| 1200668679 | 885033H09M020 |
| 1200668680 | 885033H09M030 |
| 1200668681 | 885033H09M050 |
| 1200668682 | 885033H09M100 |
| 1200668346 | 885033P03M003 |
| 1200668094 | 885033P03M010 |
| 1200072660 | 885033P03M030 |
| 1200072657 | 885033P03M0755 |

| | |
|------------|----------------|
| 1200668095 | 885033P03M100S |
| 1200073083 | 885030P03M006 |
| 1200073084 | 885030P03M150 |
| 1200073085 | 885031P03M006 |
| 1200073086 | 885031P03M100 |
| 1200073087 | 885033P03M020 |
| 1200073088 | 885033P03M050 |
| 1200073089 | 885033P03M100 |

| | | | | | | | | |
|---|-----------------------------|---|--|--|-----------|-------|------------------------------|----------------------------|
| ADDED NEW P/N'S EC NO: IPG2013-1417 DRWN: MDYSZEWSKA 2013/03/11 CHKD: JMARSZALEK 2013/03/11 APPR: MIWASIECZKO 2013/03/12 | QUALITY SYMBOLS =0 =0 | GENERAL TOLERANCES (UNLESS SPECIFIED) | | DIMENSION STYLE MM ONLY | | SCALE | DESIGN UNITS METRIC | FIRST ANGLE PROJECTION |
| | | mm INCH | | DRAWN BY | DATE | TITLE | CSE M12 XP AC FE MA XM DE | |
| 4 PLACES ± --- ± --- 3 PLACES ± --- ± --- 2 PLACES ± --- ± --- 1 PLACE ± --- ± --- 0 PLACE ± --- ± --- | | ANGULAR ± --- ° | | HWALCZAK 2012/11/22 JMARSZALEK 2013/01/14 MIWASIECZKO 2013/01/15 | SEE CHART | | DOCUMENT NO. SD-120066-001 | SHEET NO. 6 OF 6 |
| DRAFT WHERE APPLICABLE MUST REMAIN WITHIN DIMENSIONS | | THIS DRAWING CONTAINS INFORMATION THAT IS PROPRIETARY TO MOLEX INCORPORATED AND SHOULD NOT BE USED WITHOUT WRITTEN PERMISSION | | molex | | | | |



CONNECTOR SPECIFICATION:

| | |
|-----------------------|---------------------------|
| VOLTAGE RATING | 3+4P 250 VAC/VDC / 5P/60V |
| AMPERAGE RATING | max. 4 AMPS |
| PROTECTION | IP67 |
| OPERATING TEMPERATURE | -20°C TO 80°C |

| ITEM | COMPONENT | MATERIAL | FINISH |
|------|--|---------------------------|------------------|
| 7 | LABLE | MYLAR | BLACK/YELLOW |
| 6 | O-RING | VITON | RED |
| 5 | COUPLER | BRASS | NICKEL PLATED |
| 4 | SOCKET/PIN CONTACT | COPPER ALLOY | GOLD OVER NICKEL |
| 3 | INSERT | PUR | BLACK |
| 2 | OVERMOLD | POLYURETHANE (PUR) | YELLOW |
| 1 | CABLE- 22/3-5 (COPPER STRANDING) 3/4/5 CONDUCT. 300V | JACKET: TPE/PVC (2 LAYER) | JACKET: BLACK |

| | | | | | | |
|--|---|---|--|--|---|---------------------|
| DESCRIPTION EC NO.: WEU2010-0577 DRWN: LSTEMMLE CHK'D: FP APPR: REISSNER 02.06.10 2010/07/14 | QUALITY SYMBOLS ▽ = 0 ▽/C = 0 | GENERAL TOLERANCES (UNLESS SPECIFIED) mm INCH 4 PLACES ± --- ± --- 3 PLACES ± --- ± --- 2 PLACES ± --- ± .01 1 PLACE ± 0.3 ± --- ANGULAR ± --- ° | DIMENSION STYLE IN/MM DRAWN BY DATE LSTEMMLE 2010/02/03 CHECKED BY DATE RE 2010/06/08 APPROVED BY DATE FPACHER 2010/02/15 | SCALE 1:1 DESIGN UNITS METRIC THIRD ANGLE PROJECTION | MICRO-CHANGE CORDSET 3/4/5 P. FE STR/ MA STR 22/3-5 PUR/PVC BLACK CA. | |
| | DRAFT WHERE APPLICABLE MUST REMAIN WITHIN DIMENSIONS | | SEE TABLE SHEET 2 | MATERIAL NO. SD-120066-029 | DOCUMENT NO. SD-120066-029 | SHEET NO. 1 OF 2 |
| | THIS DRAWING CONTAINS INFORMATION THAT IS PROPRIETARY TO MOLEX INCORPORATED AND SHOULD NOT BE USED WITHOUT WRITTEN PERMISSION | | | | | |
| | SIZE A3 | | | | | |

10

9

8

7

6

5

4


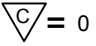
3

2

1

| POL | MATERIAL NUMBER | ENGINEERING NUMBER | FINISHED LENGTH |
|-----|-----------------|--------------------|---------------------------------|
| 3 | 1200660498 | 883030P03M010 | 1.0M +55.6 -0 [3.27' +2.19" -0] |

| POL | MATERIAL NUMBER | ENGINEERING NUMBER | FINISHED LENGTH |
|-----|-----------------|--------------------|---------------------------------|
| 5 | 1200668084 | 885030P03M010 | 1.0M +55.6 -0 [3.27' +2.19" -0] |

| | | | | | | | | | | |
|--|--|---------------------------------------|---------------------|---|--------------|---------------|--------------------|---|--|--|
| DESCRIPTION EC NO.: WEU2010-0577 DRWN: LSTEMMLE 02.06.10 CH'KD: FP APPR: REISSNER 2010/07/14 | QUALITY SYMBOLS | GENERAL TOLERANCES (UNLESS SPECIFIED) | | DIMENSION STYLE | | SCALE | DESIGN UNITS | THIRD ANGLE PROJECTION | | |
| |  = 0  = 0 | mm | INCH | IN/MM | | 1:1 | METRIC | MICRO-CHANGE CORDSET 3/4/5 P. FE STR/ MA STR 22/3-5 PUR/PVC BLACK CA. | | |
| | 4 PLACES ±--- | ±--- | DRAWN BY DATE | | | | | | | |
| | 3 PLACES ±--- | ±--- | LSTEMMLE 2010/02/03 | | | | | | | |
| | 2 PLACES ±--- | ±.01 | CHECKED BY DATE | | | | | | | |
| 1 PLACE ±0.3 | ±--- | RE 2010/06/08 | | | | | | | | |
| ANGULAR ± --- ° | APPROVED BY DATE | | FPACHER 2010/02/15 | | MATERIAL NO. | | MOLEX INCORPORATED | | | |
| DRAFT WHERE APPLICABLE MUST REMAIN WITHIN DIMENSIONS | | SEE TABLE | | DOCUMENT NO. | | SD-120066-029 | | SHEET NO. 2 OF 2 | | |
| 3 | | SIZE A3 | | THIS DRAWING CONTAINS INFORMATION THAT IS PROPRIETARY TO MOLEX INCORPORATED AND SHOULD NOT BE USED WITHOUT WRITTEN PERMISSION | | | | | | |

10

9

8

7

6

5

4

3

2

1